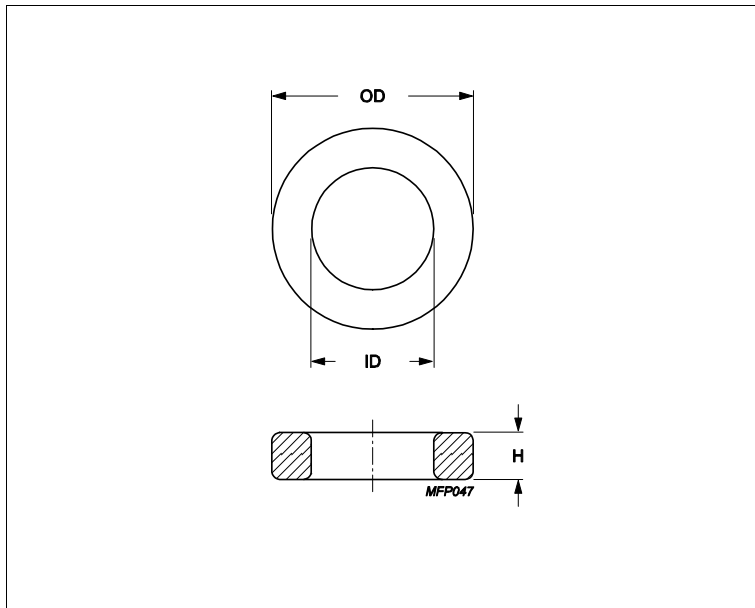


Core **Toroid 3.4/1.8/1.3**



| Effective parameters | | | |
|----------------------|------------------|---------|------------------|
| | Parameter | Value | Unit |
| $\Sigma(I/A)$ | core factor (C1) | 7.93 | mm ⁻¹ |
| Ve | effective volume | 7.3 | mm ³ |
| Le | effective length | 7.62 | mm |
| Ae | effective area | 0.96 | mm ² |
| m | mass of core | ≈ 0.035 | g/pcs |

Epoxy coating DC isolation voltage 1000.

Maximum operating temperature of the coating is 90°C.

Dimensions (mm)

| Cores | OD | ID | H | |
|----------------------|----------|---------|----------|----------------|
| TC3.4/1.8/1.3 | 3.61 max | 1.6 min | 1.45 max | Parylen Coated |

Core data

| Cores | Material | Al (nH/turns ²) | Al tolerance | $\mu\epsilon$ |
|----------------------|--------------|-----------------------------|--------------|---------------|
| TC3.4/1.8/1.3 | 3E27 | 871 | ± 25% | ≈ 5500 |
| TC3.4/1.8/1.3 | 3E6 (3E10-M) | 1580 | ± 30% | ≈ 10000 |