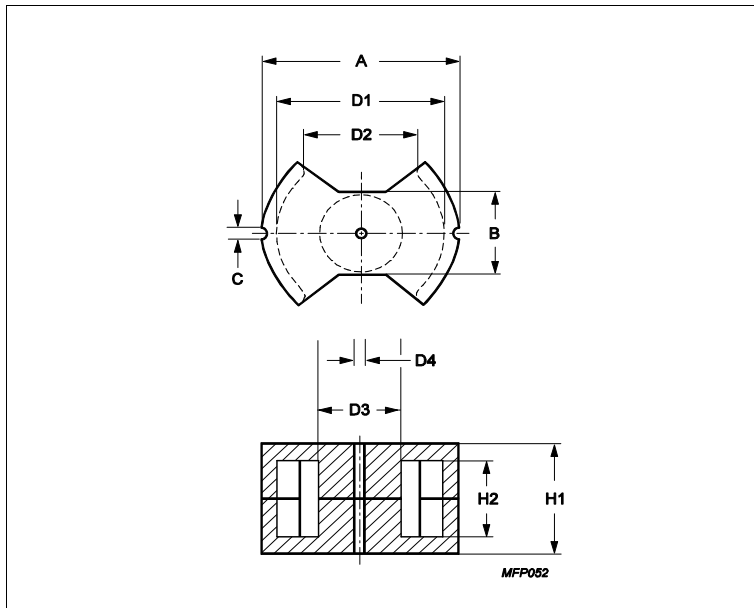


Core **PM114/93**



Effective parameters			
	Parameter	Value	Unit
$\Sigma(I/A)$	core factor (C1)	0.116	mm ⁻¹
Ve	effective volume	344000	mm ³
Le	effective length	200	mm
Ae	effective area	1720	mm ²
Amin	minimum area	1380	mm ²
m	PM114/93	≈ 1940	g/set

Dimensions for product: PM114/93						
	Nom	Tol +	Tol -	Max	Min	Unit
A	114.00	0.00	4.50	114.00	109.50	mm
B	44.00	1.00	1.00	45.00	43.00	mm
C	5.30	0.00	0.40	5.30	4.90	mm
D1	88.00	3.70	0.00	91.70	88.00	mm
D2	53.50	1.50	1.50	55.00	52.00	mm
D3	43.00	0.00	1.40	43.00	41.60	mm
D4	5.40	0.40	0.00	5.80	5.40	mm
H1	93.00	0.00	1.00	93.00	92.00	mm
H2	63.00	1.60	0.00	64.60	63.00	mm

Inductance factor				
Material	Value	Tol +	Tol -	Unit
3C94	20000	25%	25%	nH/turns ²

Power loss: 3C94				
Measuring conditions			Max	Unit
100 kHz	200 mT	100 °C	300.000	W/set

Bsat					
Measuring conditions			Material	Min	Unit
25 kHz	250 A/m	100 °C	3C94	320	mT