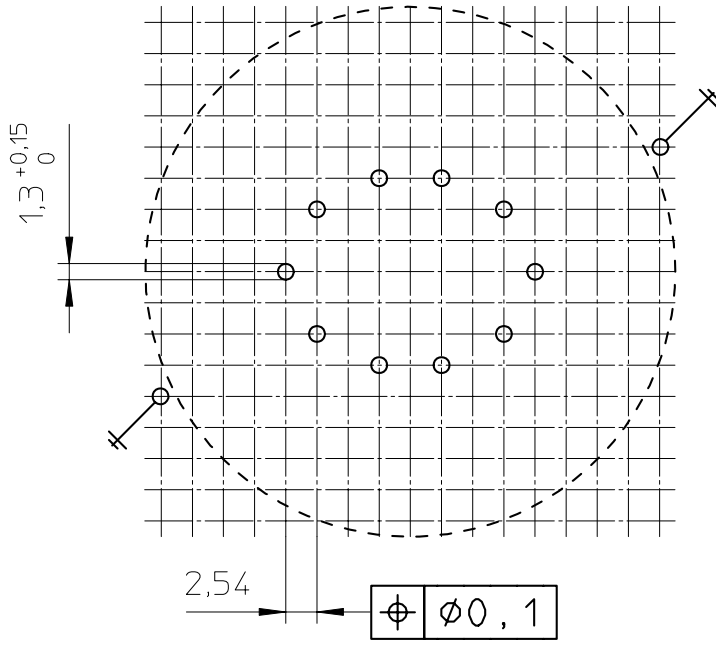


HOLE PATTERN



Tag plate material: Sumikon PM9820 (PF), glass-reinforced.
 UL filenumber: E41429 - UL94V-0.
 Pin material: Copperclad steel, Sn plated.
 Max. operating temp.: 180°C.
 Resistance to soldering heat acc. to IEC60068-2-20 Part2,
 test Tb, method 1, 350°C - 3.5sec.
 Solderability: IEC 60068-2-20 Part 2, Test Ta, method 1, 235°C-2s.

CLASS.NO.		TGP-P42/29-C		4322 021 04321		02-07-09		
						06-02-23		
NAME NAAM	A.Wojtasz	SUPERS. VERV.		1	SH BL.	112 - 001	010	A4
MPA	CHECK CONTR.	DAT.	2002-07-09	Property of Eigendom van		© FERROXCUBE 2000		