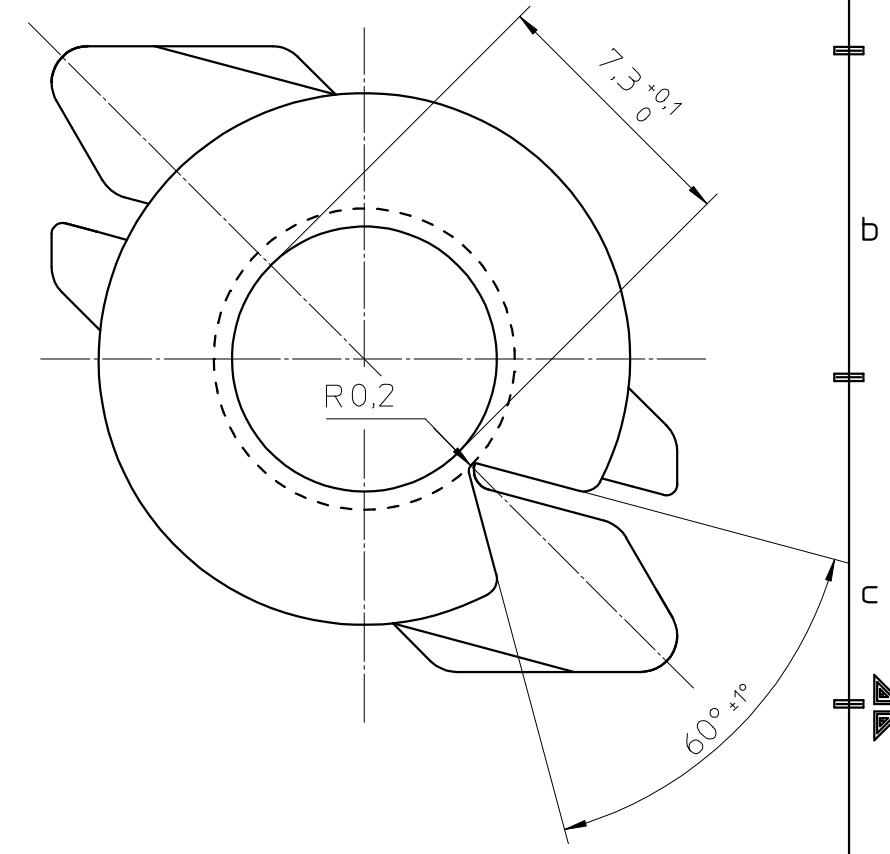
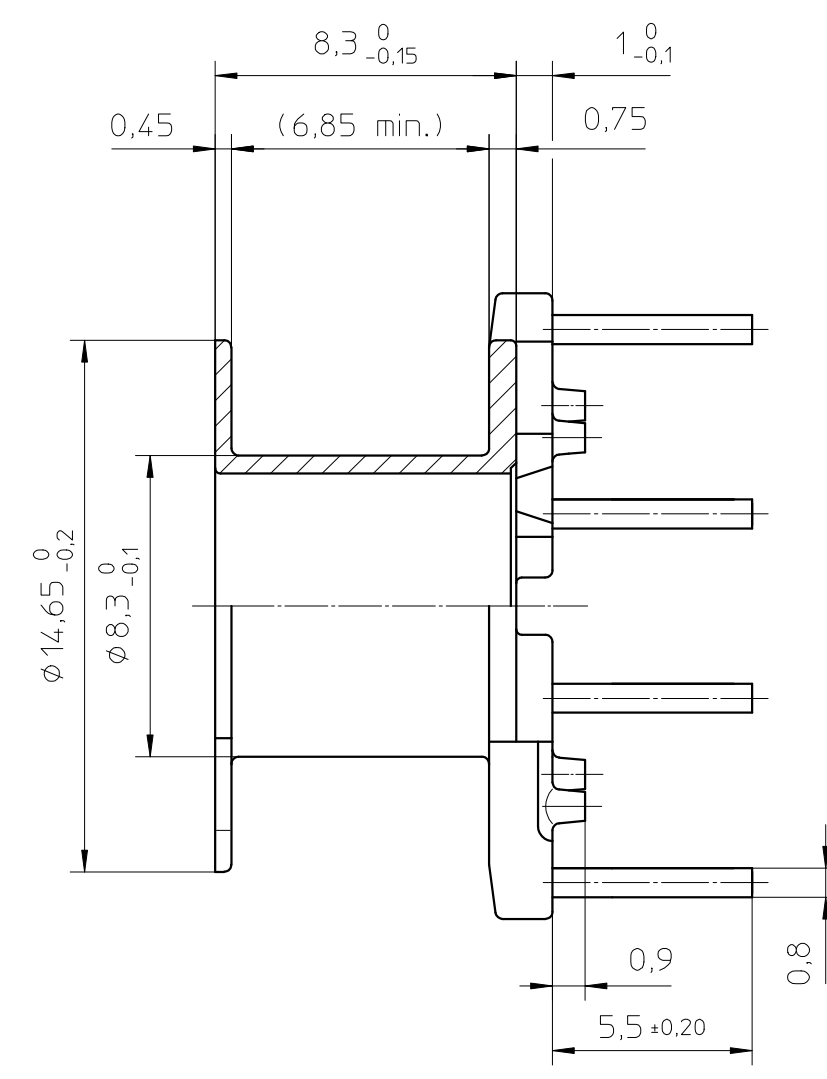
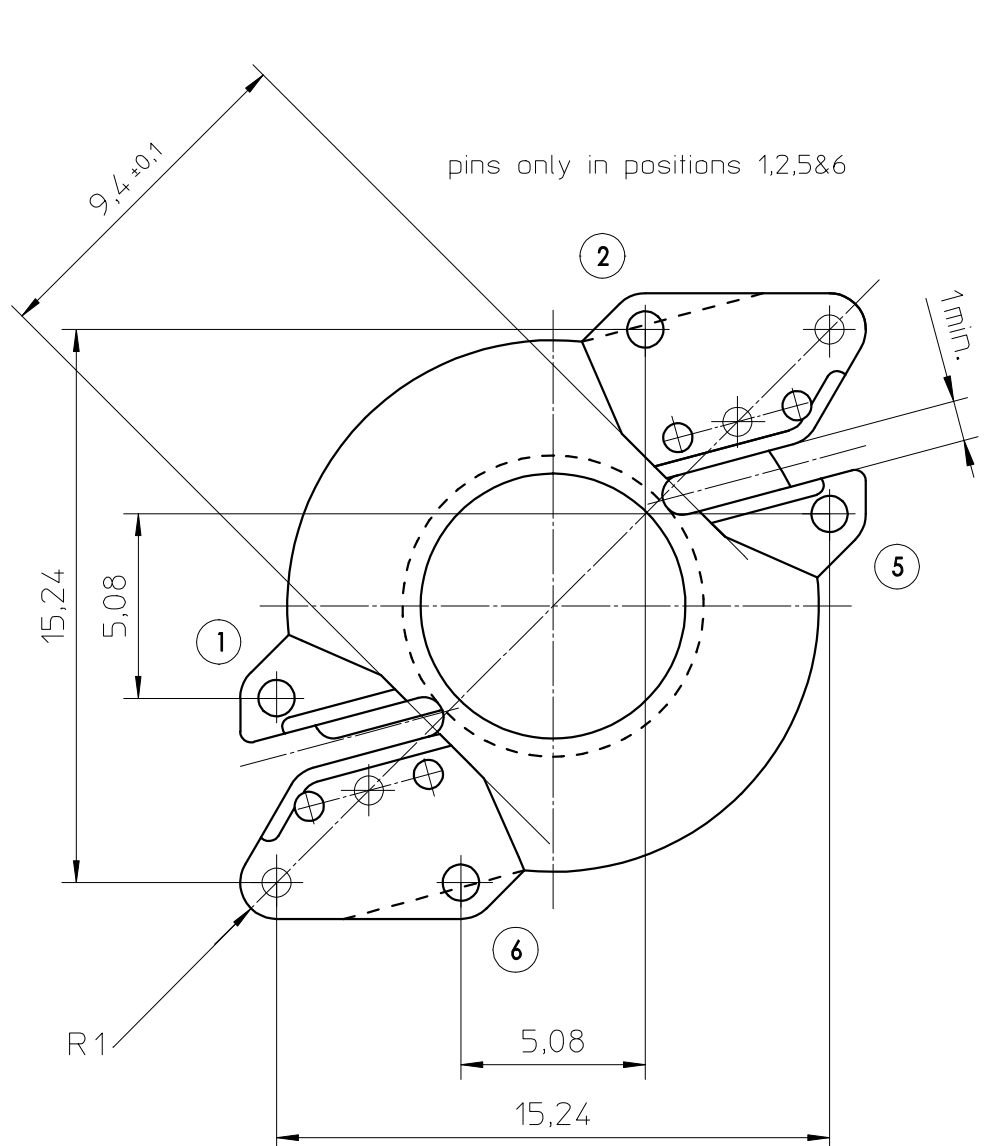
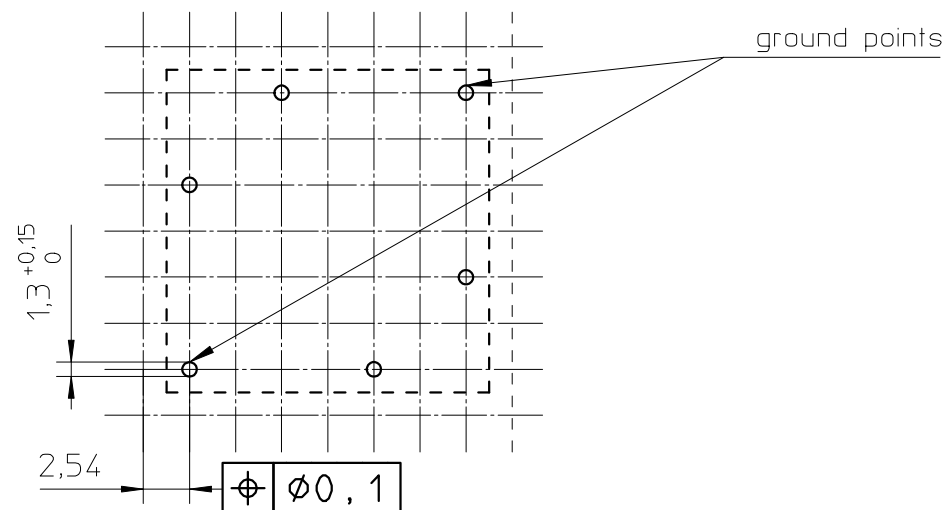


1 2 3 4 5 6 7 8



HOLE PATTERN:

Space requirement 7x7 pitch.



Coil former material: Sumikon PM9630 (PF), glass-reinforced.
 UL file number: E41429 - UL94V-0.

Pin material: Copperclad steel, Sn plated.

Max. operating temp.: acc. to IEC 60 085 class H, 180°C.

Resistance to soldering heat: acc. to IEC 60 068-2-20 Part 2, Test Tb, method 1B, 350°C-3,5s.

Solderability: acc. to IEC 60 068-2-20 Part 2, Test Ta, method 1, 235°C-2s.

Min. winding area: 21 mm².

Mean length of turn: 35 mm.

CLASS.NO.	CSV-RM7-1S-4P-C		4322 021 04441		2003-02-13 2005-03-08
NAME NAAM	Tjon	SUPERS. VERV.	1	SH BL	112 - 001 010
MPA	CHECK CONTR.	DAT.	03-02-13	Property of Eigendom van	© FERROXCUBE 2002

1 2 3 4