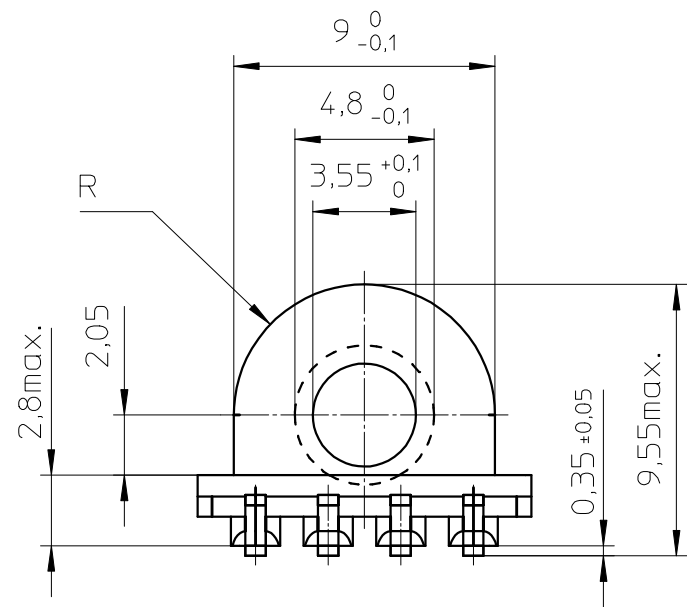
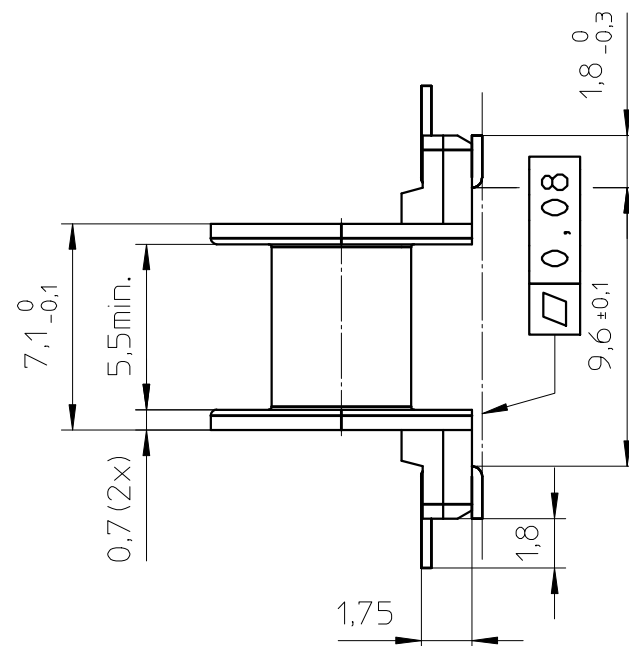
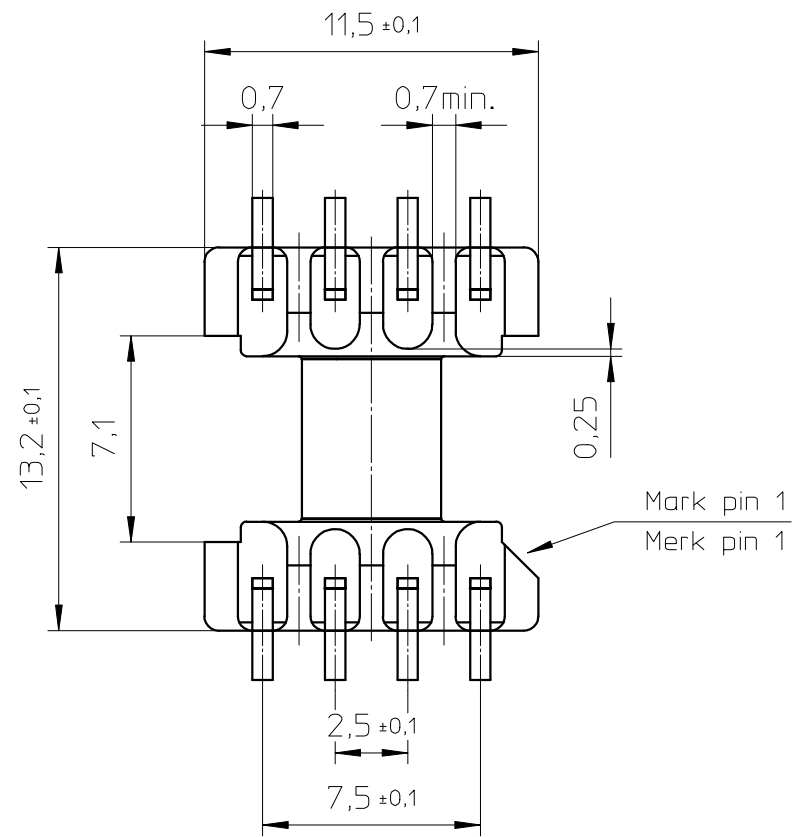
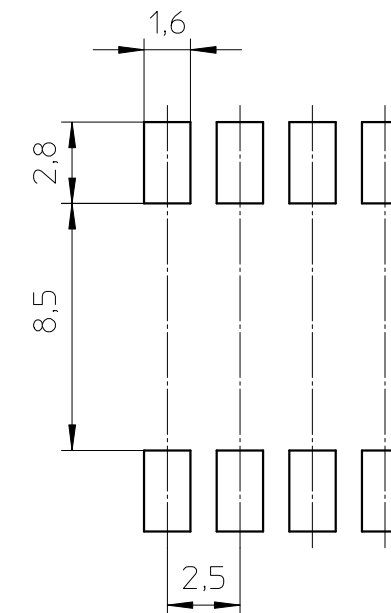


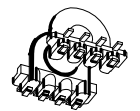
**FERROXCUBE**



PROPOSED PAD ARRANGEMENT:



Coil former material: Sumikon PM9630 (PF), glass-reinforced.  
 UL file number: E41429 - UL94V-0.  
 Pin material: CuSn - Ni flash, Sn plated.  
 Max. operating temp.: acc. to IEC 60 085 class F, 155°C.  
 Resistance to soldering heat: acc. to IEC 60 068-2-20 Part 2, Test Tb, method 1B, 350°C-3,5s  
 Solderability: acc. to IEC 60 068-2-20 Part 2, Test Ta, method 1, 235°C-2s  
 Min. winding area: 11,3 mm<sup>2</sup>.  
 Mean length of turn: 21,5 mm.



CLASS.NO.	CSHS-EP10-1S-8P-T		4322 021 03191	1999-01-05
				2001-06-27
				2005-03-11
NAME NAAM MPA	M.Veekens	SUPERS. VERV. CHECK CONTR.	001 SH SH BL BL 112 - 001	069
	DAT.	99-01-05	Property of Eigendom van	© FERROXCUBE 2000
				A3