

Coil former material :

Longlite PM 375J (PF)

Pin material:

UL file number: E59481 - UL94V-0

Max. operating temp.:

Copper-plated steel wire, Sn plated
acc. to IEC 60 085 class H, 180°C

Resistance to soldering heat:

acc. to IEC 60 068-2-20 Part 2, Test Tb, method 1B, 350°C - 3,5 se c.

Solderability :

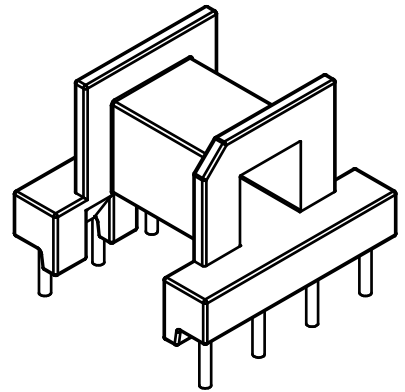
acc. to IEC 60 068-2-20 Part2, Test Ta, method 1, 235°C - 2 sec.

Min. widening area :

27 sq mm.

Mean length of turn:

38 mm.



CLASS.NO.	CSH-E20/10/5-1S-8P-C		4322 021 07331		5
					4
					3
					2 19-03-2012
					1 07-03-2012
NAME M. Tryngiel	SUPERS.	001 SH BL SH BL	112 - 001	010	
	DATE:	Property of	FERROXCUBE Polska Sp. z o.o.		A4