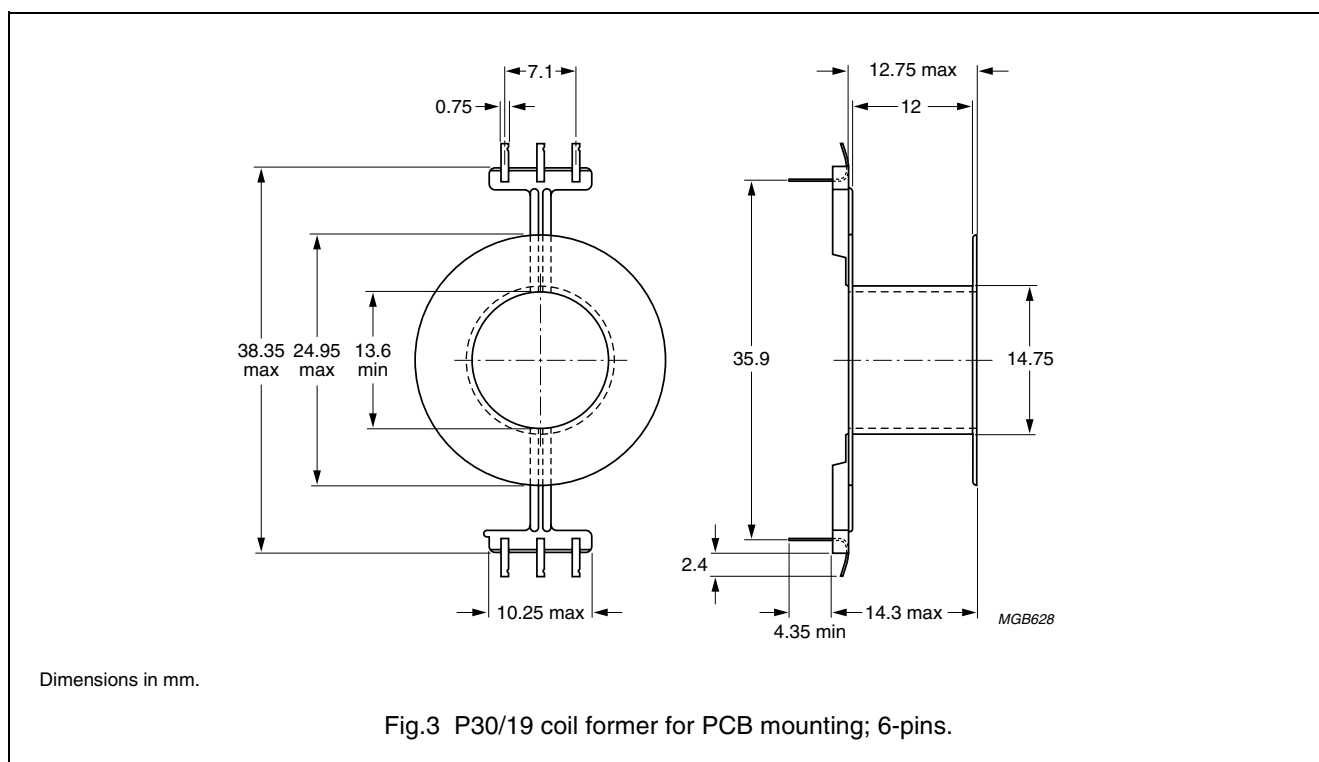


General data 6-pins P30/19 coil former for PCB mounting

PARAMETER	SPECIFICATION
Coil former material	polyamide (PA6.6), glass reinforced, flame retardant in accordance with "UL 94-HB"; UL file number E41938(M)
Maximum operating temperature	130 C, "IEC 60085", class B
Pin material	copper-zinc alloy (CuZn), tin-lead alloy (SnPb) plated
Resistance to soldering heat	"IEC 60068-2-20", Part 1, Test Tb, method 1B, 350 C, 3.5 s. For connection of wire to pins: 430 C, 2 seconds
Solderability	"IEC 60068-2-20", Part 2, Test Ta, method 1, 235 C, 2 s



Data for 6-pins P30/19 coil former for PCB mounting

NUMBER OF SECTIONS	MINIMUM WINDING AREA (mm ²)	NOMINAL WINDING WIDTH (mm)	AVERAGE LENGTH OF TURN (mm)	MINIMUM LENGTH OF PINS (mm)	TYPE NUMBER
1	55.2	12.8	62.2	4.4	CPV-P30/19-1S-6PD
1	55.2	12.8	62.2	6.8	CPV-P30/19-1S-6PDL