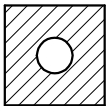
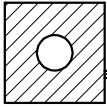


**FERROXCUBE**



1

2

3

4

a

b

c

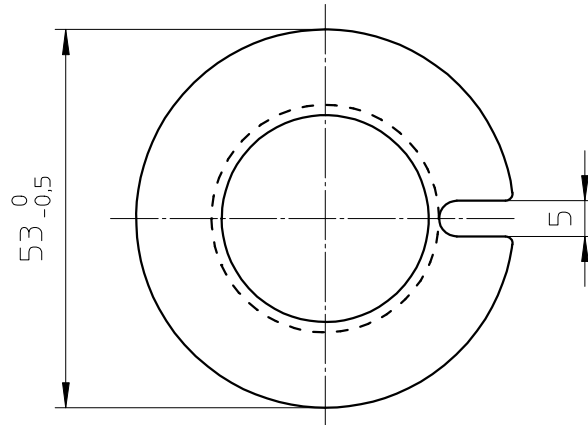
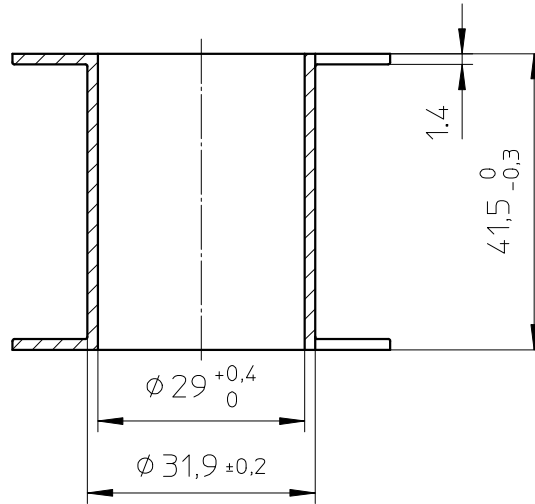
d

a

b

c

d



Coil former material: Rynite FR530 (PET), glass reinforced (color black).

UL file number: E41938 - UL94V-0.

Max. operating temp.: 180°C class H

Winding area: 400,0 mm<sup>2</sup>.

Mean length of turn: 130 mm.

|              |  |                 |  |                             |  |
|--------------|--|-----------------|--|-----------------------------|--|
| CLASS.NO.    |  |                 |  | 06-08-28                    |  |
|              |  | CP-P66/56-1S-C  |  | 4322 021 06561              |  |
|              |  |                 |  |                             |  |
| NAME<br>NAAM |  | A.Wojtasz       |  | 1 SH BL 112 - 001 010       |  |
| MPA          |  | CHECK<br>CONTR. |  | A4                          |  |
| DAT.         |  | 06-08-28        |  | Property of<br>Eigendom van |  |
|              |  |                 |  | © FERROXCUBE 2000           |  |