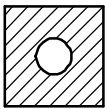
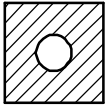


FERROXCUBE



1 2 3 4

a

b

c

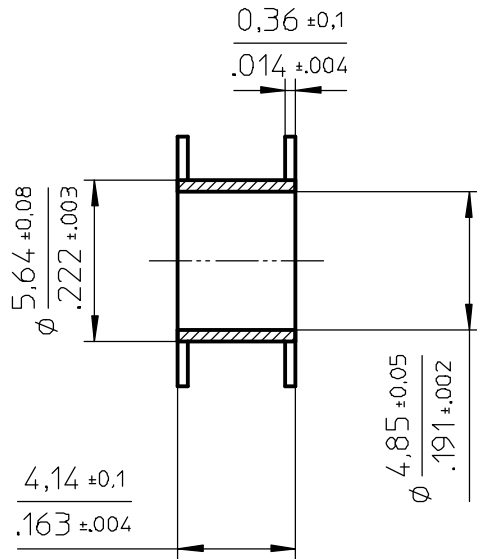
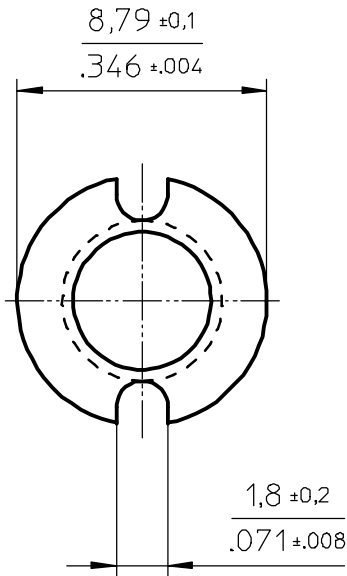
d

a

b

c

d



Coil former material: Delrin 900 (POM).
UL file number: E66288 - UL94HB.
Max. operating temp. 130°C
mean length of turn: 22.66 mm
winding area: 4.774 sqmm

		CP-P11/7-1S-A		4335 000 26011		01-06-01			
						02-11-04			
NAME NAAM		JON	SUPERS. VERV	1	SH BL	SH BL	112 - 001		A4
MPA		CHECK CONTR.	DAT.	Property of Eigendom van		© FERROXCUBE 2002			

