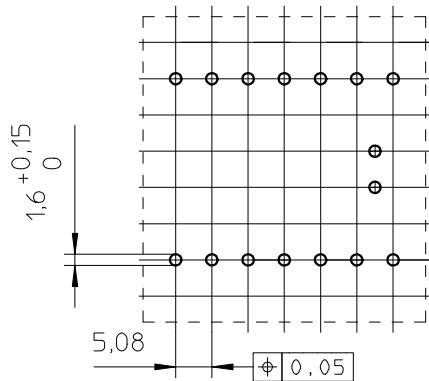
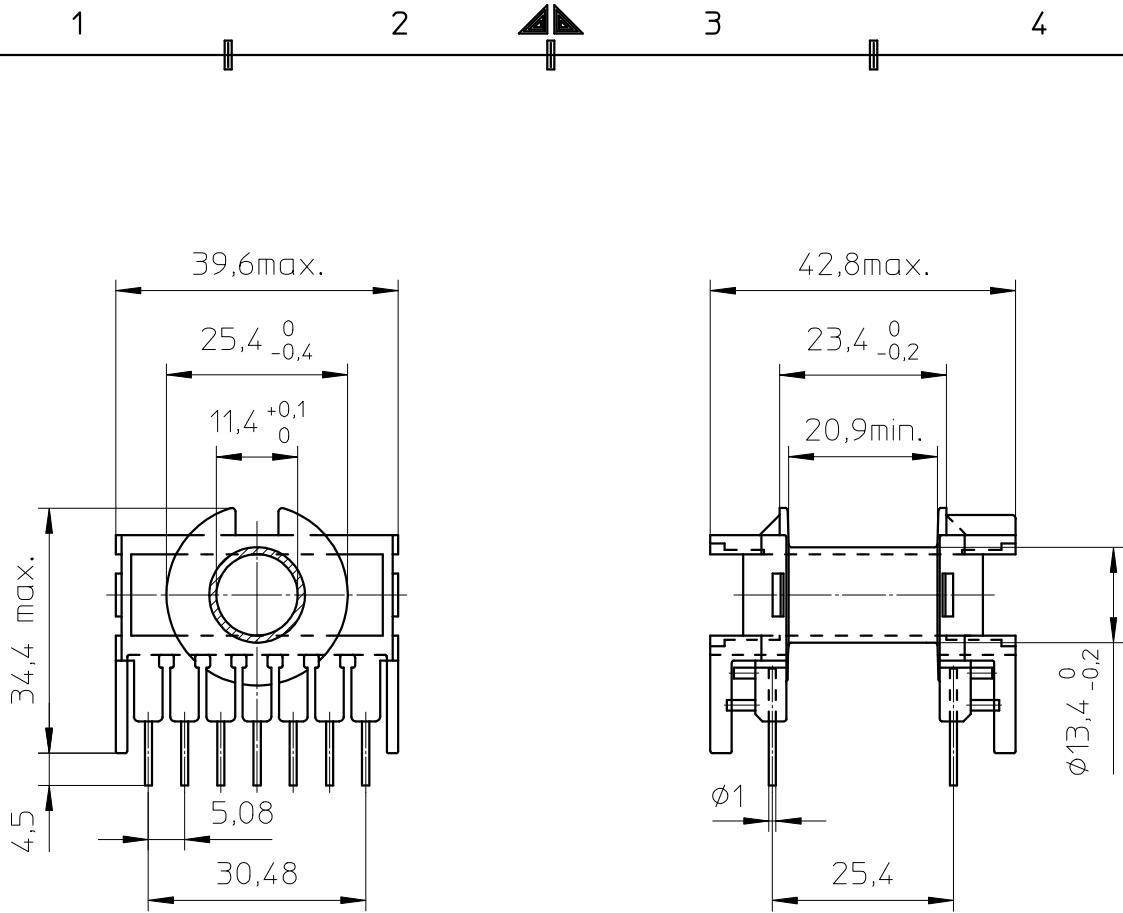
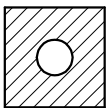
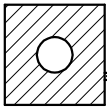


**FERROXCUBE**



Coil former material:	Valox 420SEO (PBT), glass-reinforced.
	UL file number: E45329(R) - UL94V-0.
Pin material:	CuSn - Ni flash, Sn plated.
Max. operating temp.:	acc. to IEC 60 085 class F, 155°C.
Resistance to soldering heat:	acc. to IEC 60 068-2-20 Part 2, Test Tb, method 1B, 350°C-3,5s.
Solderability:	acc. to IEC 60 068-2-20 Part 2, Test Ta, method 1, 235°C-2s.
Min. winding area:	123 mm <sup>2</sup> .
Mean length of turn:	60 mm.

CLASS.NO.		CPH-ETD34-1S-14P		4322 021 33852		99-10-06		
00-05-18						00-05-18		
						02-11-07		
						05-09-01		
NAME NAAM	J.Willems	SUPERS. VERV.	1	SH BL.	112	- 001	010	A4
MPA	CHECK CONTR.	DAT.	83-02-08	Property of Eigendom van		© FERROXCUBE 2000		