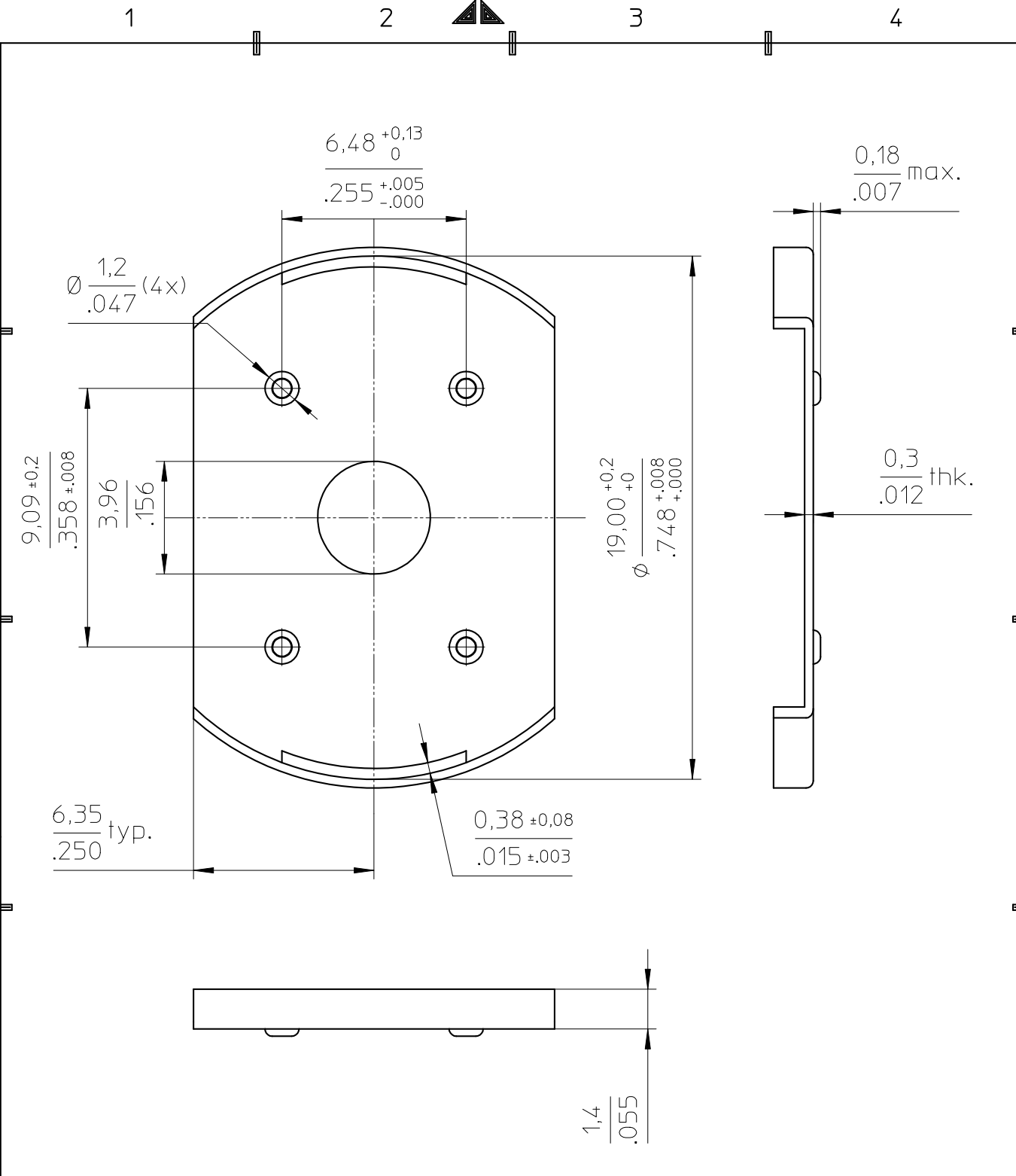
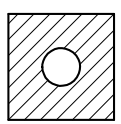
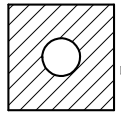


FERROXCUBE



Material: Brass, 1/2 hard, Zn plated (0.0002") suppl. chromate treatment.

CLASS.NO.			2012-06-22
BPL/D-CLM/C-P18/11-C		4322 021 45091	
NAME NAAM	M.Trynqiel	SUPERS. VERV.	001 SH BL. SH BL. 112 - 01
MPA	CHECK CONTR.	DAT.	Property of Eigendom van © FERROXCUBE 2000
			A4