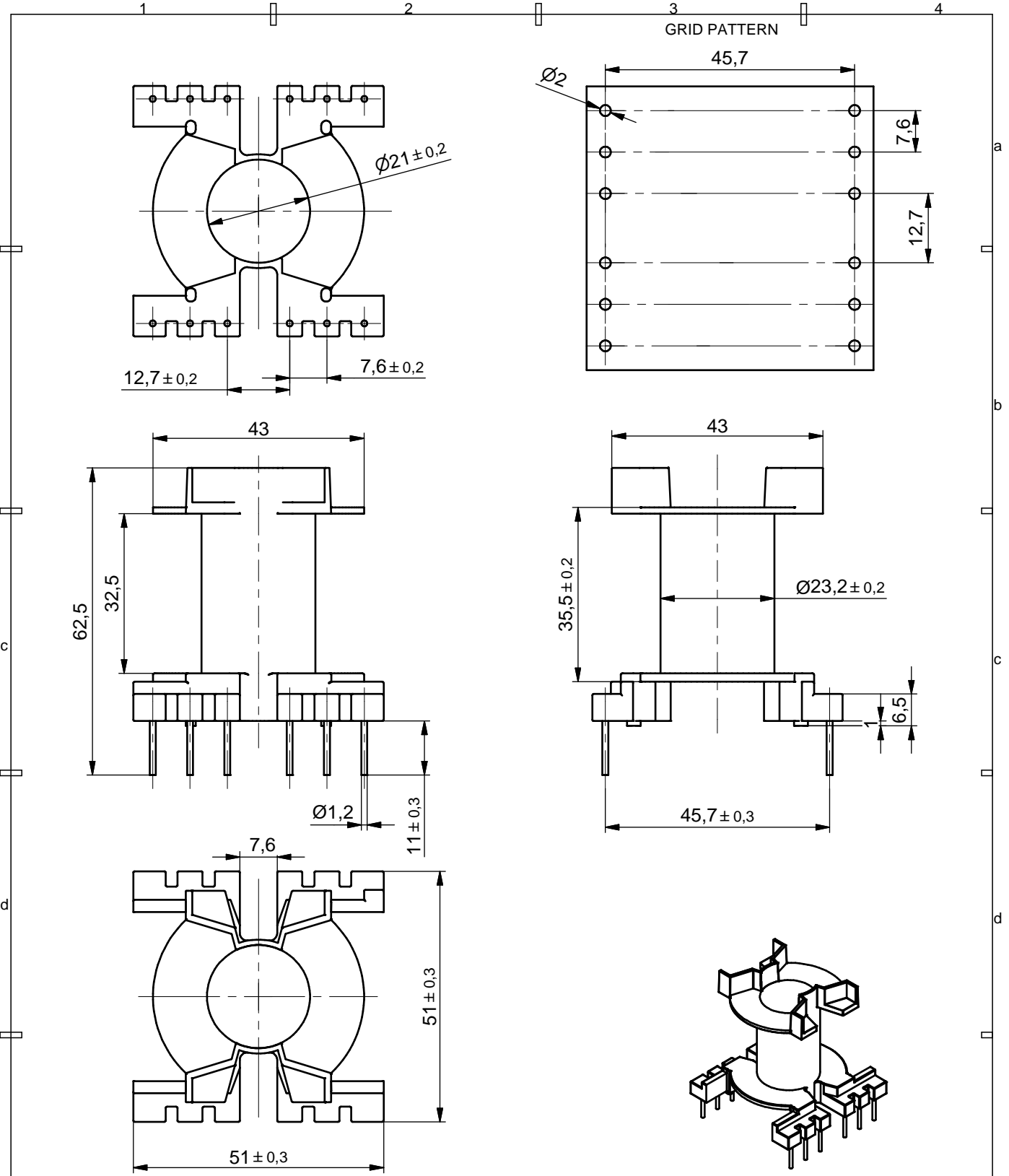
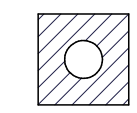
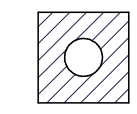


F



Coil former material : Sumikon PM9820 (PF), glass-reinforced
 UL file number: E41429 - UL94V-0
 Pin material: Copper-plated steel wire, Sn plated
 Max. operating temp.: acc. to IEC 60 085 class F, 155°C
 Resistance to soldering heat: acc. to IEC 60 068-2-20 Part 2, Test Tb, method 1B, 350°C - 3,5 se c.
 Solderability : acc. to IEC 60 068-2-20 Part2, Test Ta, method 1, 235°C - 2 sec.
 Min. winding area : 320,1 sq mm.
 Mean length of turn: 104,1 mm.

CLASS.NO.	CSV-PQ50/50-1S-12P		4322 021 07181		5		
					4		
					3		
					2	2009-09-24	
					1	2009-06-29	
NAME M. Tryngiel	SUPERS.	001	SH BL	SH BL	112 - 001	010	A4
	DATE:	Property of	FERROXCUBE Polska Sp. z o.o.				