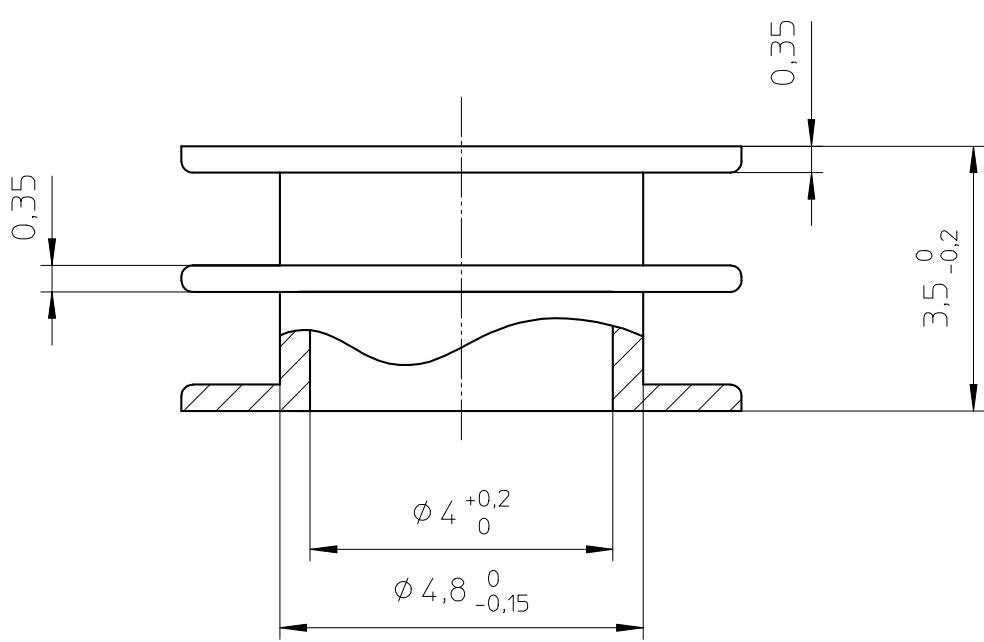
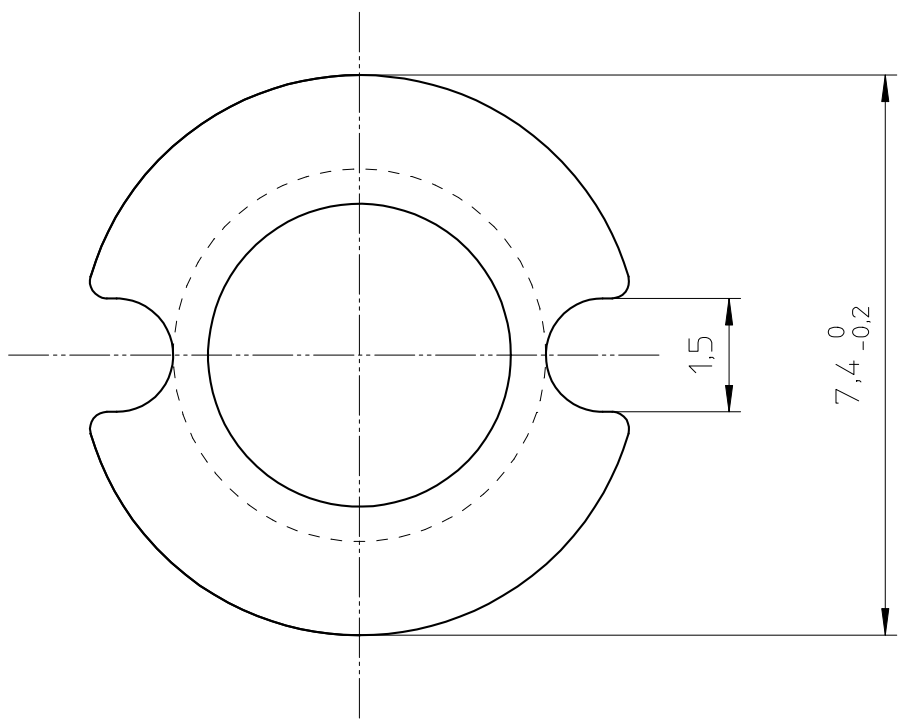
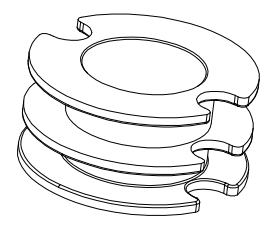


1 2 3 4



Coil former material: Rynite FR530 (PET), glass-reinforced.
 UL file number: E41938 - UL94V-0.
 Max. operating temp.: acc. to IEC 85 class H, 180°C.
 Min. winding area: 2,6 mm².
 Mean length of turn: 18,9 mm.



CLASSNO.		CP-P9/5-2S-C		4322 021 06731		07-06-20		
NAME NAAM	A.Wojtasz	SUPERS. VERV.		1 SH BL.	SH BL.	112 - 001	010	A4
MPA	CHECK CONTR.	DAT.	07-06-20	Property of Eigendom van		© FERROXCUBE 2007		

