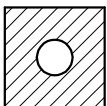
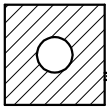
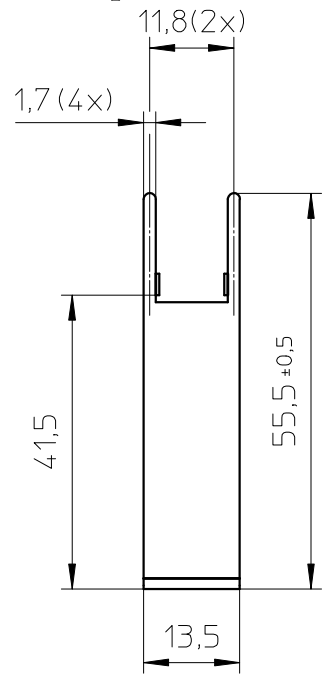
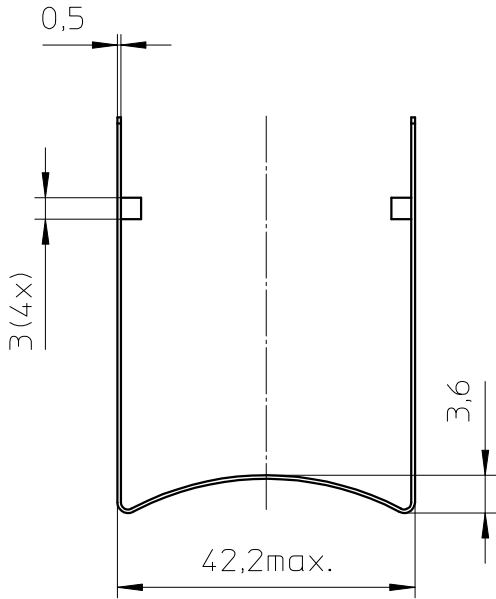


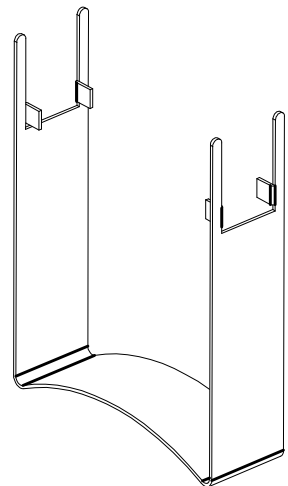
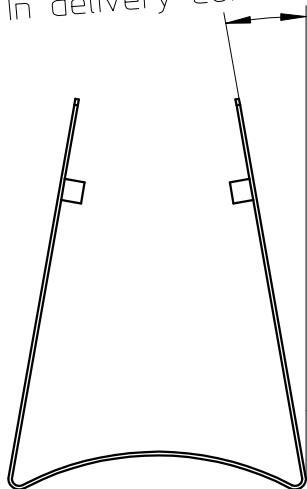
FERROXCUBE



1 2 3 4



In delivery condition max.10°(2x)



Material: phosphorbronze 0,5mm - Sn plated

earthpins solderability acc. to IEC 60068-2-20 part2, Test Ta, method 1, 235°C - 2s

CLASS.NO.

CLM/P-PQ40/40

4322 021 03911

2001-11-28

NAME
NAAM M.Veekens

SUPERS.
VERV.

1

SH
BL.

112

-

001

010

A4

MPA

CHECK
CONTR.

DAT.

2001-11-28

Property of
Eigendom van

© FERROXCUBE 2000