
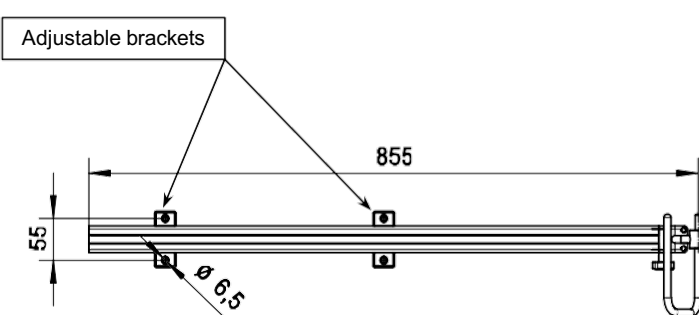

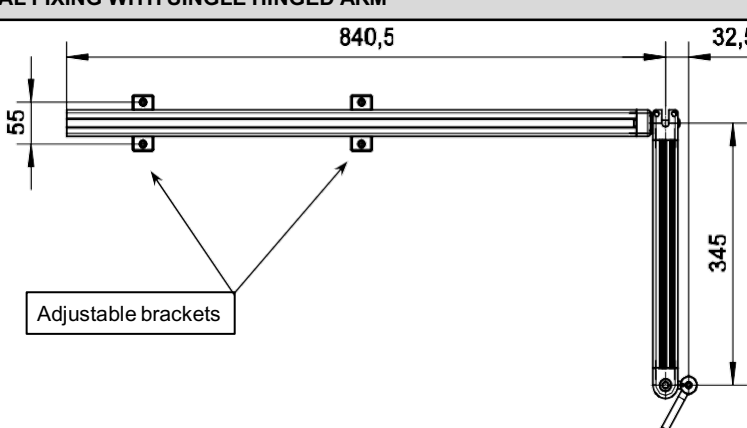

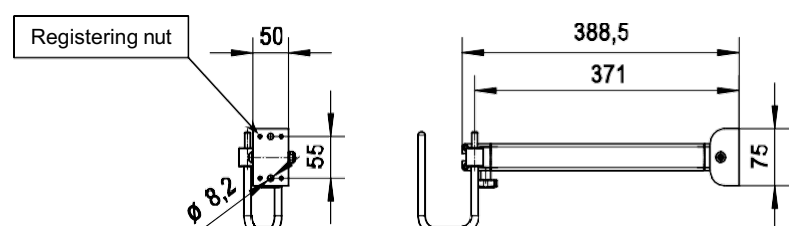



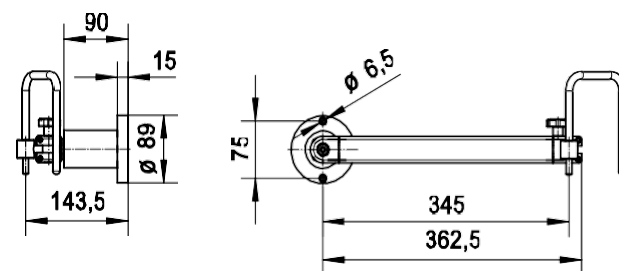
Code <b>ST10</b>	Project <b>A07-B</b>	Release <b>B</b>	<b>TECHNICAL DATASHEET</b>
---------------------	-------------------------	---------------------	----------------------------

## SUPPORTING ARMS FOR DIGITAL READOUTS


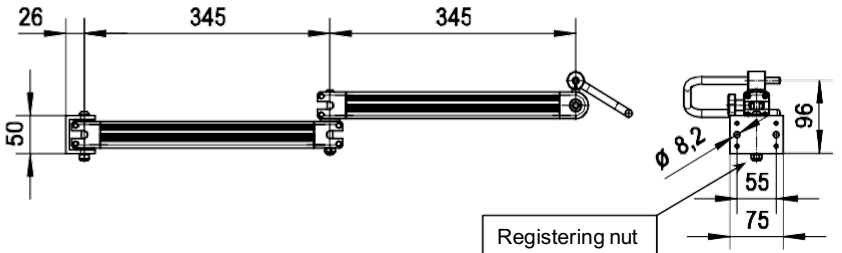
<b>Mod. 1</b>		<b>VERTICAL FIXING</b>
		 <p>Adjustable brackets</p>


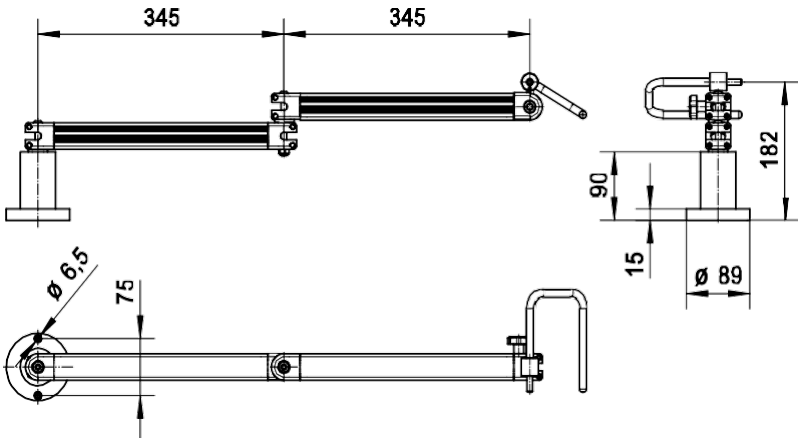
<b>Mod. 2</b>		<b>VERTICAL FIXING WITH SINGLE HINGED ARM</b>
		 <p>Adjustable brackets</p>


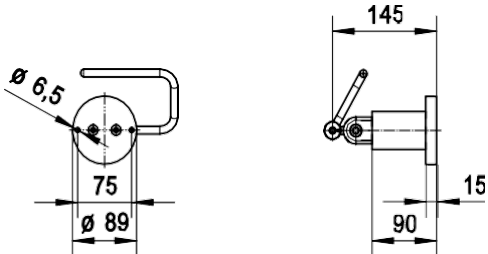
<b>Mod. 3</b>		<b>WALL FIXING WITH SINGLE HINGED ARM</b>
		 <p>Registering nut</p>


<b>Mod. 4</b>		<b>SURFACE FIXING WITH SINGLE HINGED ARM</b>
		

Code <b>ST10</b>	Project <b>A07-B</b>	Release <b>B</b>	<b>TECHNICAL DATASHEET</b>
---------------------	-------------------------	---------------------	----------------------------

Mod. 5		<b>WALL FIXING WITH DOUBLE HINGED ARM</b>
		

Mod. 6		<b>SURFACE FIXING WITH DOUBLE HINGED ARM</b>
		

Mod. 7		<b>SURFACE FIXING</b>
		

Mod. Argo		<b>VERTICAL FIXING ON ROUND BAR Ø25 mm</b>
		