

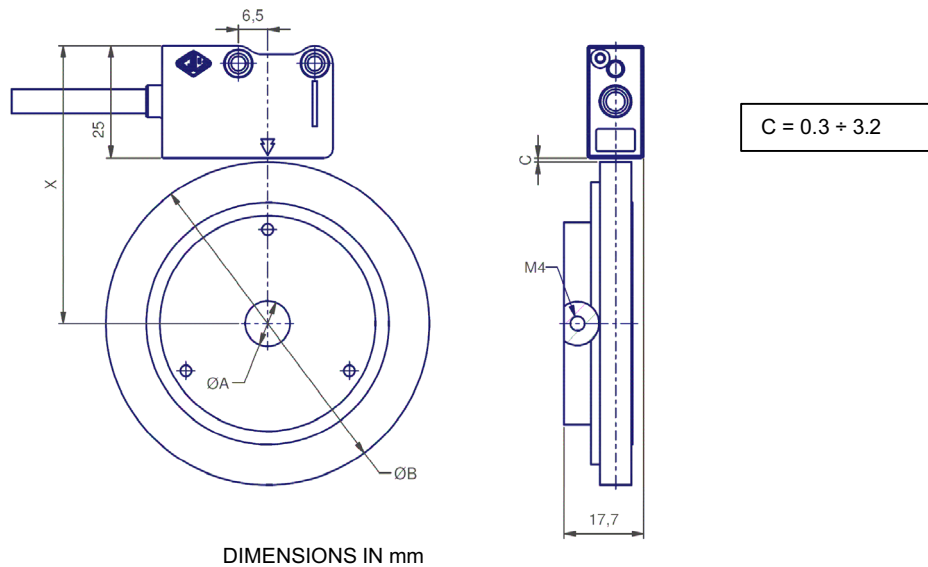
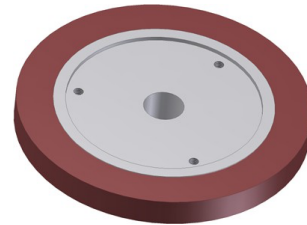
Code ST32	Project A25-B	Release B	TECHNICAL DATASHEET
---------------------	-------------------------	---------------------	----------------------------

MAGNETIC RING MR500

GENERAL FEATURES

MAGNETIC RING MR500 made of magnetized ferrite ring with pole pitch of 5+5 mm. It is mounted on an aluminium flange for an easy application on the machine.

To be used with magnetic sensor
 MTS HxxxC or MTV HxxxC.



MECHANICAL CHARACTERISTICS

Pole pitch	5+5 mm		
System accuracy	$\varnothing 38$	$\varnothing 48.7$	$\varnothing 72$
	$\pm 0.21^\circ$	$\pm 0.16^\circ$	$\pm 0.11^\circ$
Measuring range	360°		
Operating temperature	0 °C + 70 °C		
Storage temperature	-20 °C + 80 °C		

ORDERING CODE

MODEL	POLE PITCH	EXTERNAL DIAMETER (B)	MOUNTING DIAMETER (A)	NUMBER OF POLES
MR	500	72	10	046

500 = 5+5 mm

38 = 38 mm
 48.7 = 48.7 mm
 72 = 72 mm

10 = $\varnothing 10$ standard
 Others on request

024 = 24 poles ($\varnothing 38$)
 030 = 30 poles ($\varnothing 48.7$)
 046 = 46 poles ($\varnothing 72$)

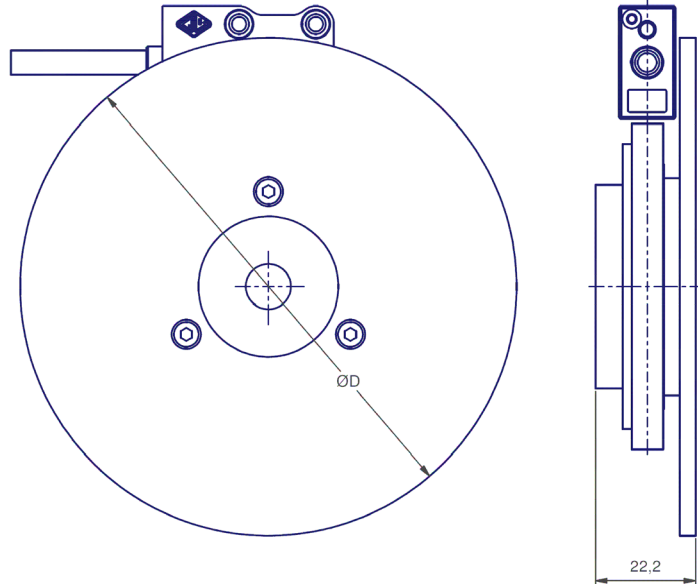
Example **MAGNETIC RING MR500 72 10 046**

Code ST32	Project A25-B	Release B	TECHNICAL DATASHEET
---------------------	-------------------------	---------------------	----------------------------

EXTERNAL ZERO REFERENCE FOR MAGNETIC RING

To be used with magnetic sensor
 MTS HxxxE or MTV HxxxE.

Ø RING (mm)	Ø D (mm)
38	76
48.7	86
72	110



ORDERING CODE

MODEL EXTERNAL DIAMETER MR

SME010MR	72
-----------------	-----------

38 = 38 mm
 48.7 = 48.7 mm
 72 = 72 mm

Example  **EXTERNAL ZERO REFERENCE SME010MR 72**

INSTALLATION AND HANDLING

1. Fix the flange to the shaft with the dowel provided.
2. Align the magnetic sensor to the flange magnetic area.
3. Do not expose the ferrite ring to magnetic fields.