

Code ST02	Project E08-A	Release B	TECHNICAL DATASHEET
---------------------	-------------------------	---------------------	----------------------------

CABLE AND ELECTRICAL CONNECTIONS

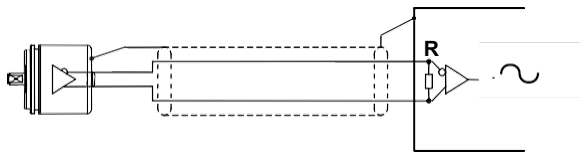
Cable 8 wires $\varnothing = 6.0$ mm, PVC external sheath

Conductors section:
 - power supply: 0.35 mm²
 - signals: 0.14 mm²

NOTE
 The cable's bending radius should not be lower than 60 mm.

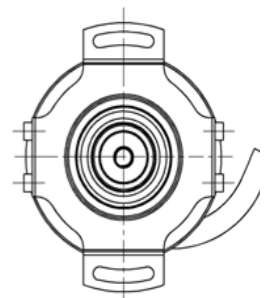
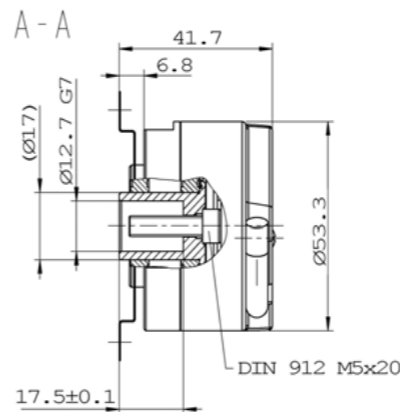
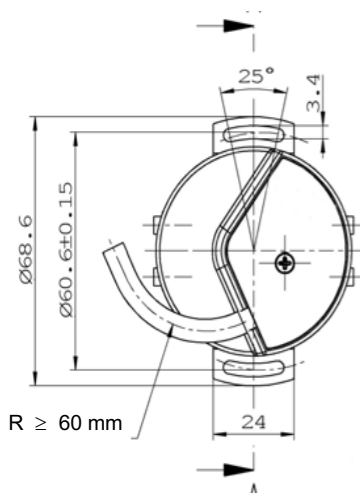
SINE WAVE (1 Vpp)		
PIN No. ON TERMINAL BLOCK	CONDUCTOR COLOR	SIGNAL
Row a - 1		n.c.
Row a - 2	Orange	A
Row a - 3	Blue	0 V
Row a - 4	Yellow	Z
Row a - 5	Light blue	B
Row a - 6		n.c.
Row a - 7	Red	+5 V
Row b - 1		n.c.
Row b - 2		n.c.
Row b - 3	White	B
Row b - 4	Brown	Z
Row b - 5	Shield	GND
Row b - 6	Green	A
Row b - 7		n.c.

SHIELDED CABLE



POWER SUPPLY	R
5 V 1 Vpp	120 Ω

DIMENSIONS AND RECOMMENDED FIXING



WHAT TO AVOID

- Any mechanical working (cutting, drilling, milling, etc.).
- Any modification of the encoder body or shaft.
- Any improper use, not complying with the technical instructions provided by the Manufacturer.
- External shocks or stresses.

