

Code <b>TBD</b>	Project <b>TBD</b>	Release <b>TBD</b>	<b>TECHNICAL DATASHEET</b>
--------------------	-----------------------	-----------------------	----------------------------

## OPTICAL ENCODER EN30SC

### GENERAL FEATURES

- Optical rotary encoder.
- Bi-directional signals without zero pulse.
- Aluminium flange and body.
- Output by cable (with sealing faillead), radial.



### MECHANICAL AND ELECTRICAL CHARACTERISTICS

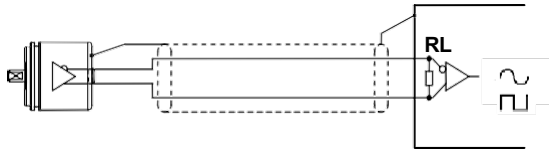
<b>MECHANICAL</b> <ul style="list-style-type: none"> <li>• Aluminium flange and body.</li> <li>• Stainless steel shaft.</li> <li>• Ball bearings with special high-sealed screens.</li> </ul> <b>ELECTRICAL</b> <ul style="list-style-type: none"> <li>• High stability of output signals.</li> <li>• Receiving device with infra-red light emitter and receiving photodiodes.</li> <li>• A and B output signals with phase displacement of 90° electrical.</li> </ul>	<b>Cod. EN30SC</b>	
	<b>Output</b>	<b>PUSH PULL OR LINE DRIVER TTL</b>
	<b>Pulses per revolution</b>	UP TO 500 impulse
	<b>Max. consumption at 5V (with no load)</b>	40 mA (max load 80mA)
	<b>Max. frequency</b>	100 kHz
	<b>Max. rotating speed</b>	continuous 3000 rpm momentary 6000 rpm
	<b>Max. shaft load</b>	10 N (axial) - 10 N (radial)
	<b>Shaft (diameter x length) mm</b>	Ø 4x16,4 - Ø 6x16,4
	<b>Operating temperature</b>	0 °C ÷ 60 °C
	<b>Storage temperature</b>	-25 °C ÷ 75 °C
	<b>Relative humidity</b>	90% (without condensation)
	<b>Protection class (EN 60529)</b>	IP 54
	<b>Power supply</b>	5 V up to 28Vdccc ± 5%
	<b>Cable length (standard)</b>	1 m
	<b>Electrical protections</b>	inversion of power supply polarity and short circuits
<b>Electrical connections</b>	see related table	
<b>Weight</b>	200 g	

### ORDERING CODE

MODEL	CABLE / CONN. OUTPUT	PPR	POWER SUPPLY	SHAFT Ø	CABLE / CONNECTOR	OUTPUT SIGNALS	CONNECTION	OPTIONS
<b>EN30SC</b>	<b>HR</b>	<b>500</b>	<b>0528</b>	<b>D04</b>	<b>M01</b>	<b>LD</b>	<b>C</b>	
	HR = radial		05V = 5 V	D04 = ø 4mm D06 = ø 6mm	M.5 = 0.5 m M01 = 1 m	PP = Push-Pull LD = Line Driver	C = cable n = connection number	

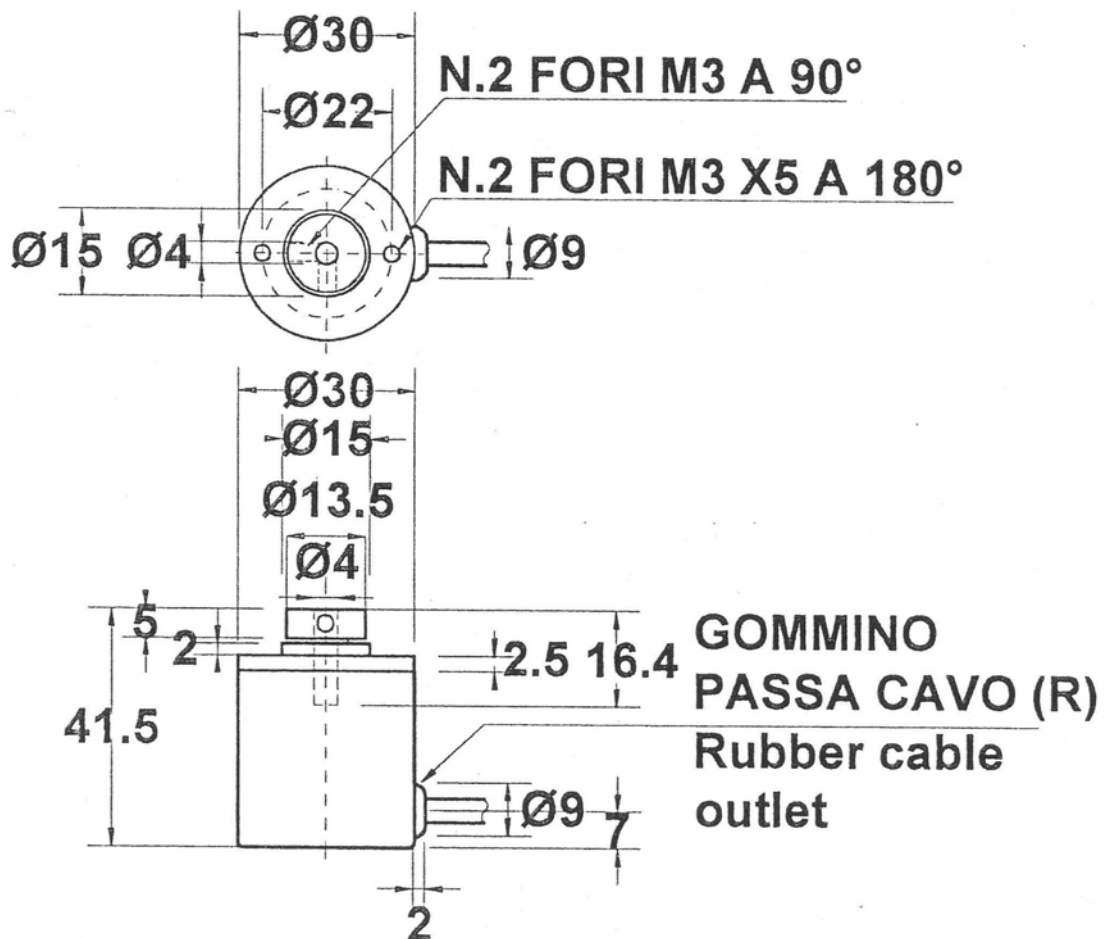
Example 🖱️ **OPTICAL ENCODER EN30SC HR 500 0528V D04 M01 LDC**

Code <b>TBD</b>	Project <b>TBD</b>	Release <b>TBD</b>	<b>TECHNICAL DATASHEET</b>
--------------------	-----------------------	-----------------------	----------------------------

**SHIELDED CABLE**


POWER SUPPLY	LR
5 V LD/PP	120 Ω

In case of cable extension, the electrical connection between the body of the connectors must be ensured.

**DIMENSIONS AND RECOMMENDED FIXING**

**HAT TO AVOID**

- Any mechanical working (cutting, drilling, milling, etc.).
- Any modification of the encoder body or shaft.
- Any improper use, not complying with the technical instructions provided by the Manufacturer.
- External shocks or stresses.

