

Code ST02	Project E11-A	Release A	TECHNICAL DATASHEET
---------------------	-------------------------	---------------------	----------------------------

CABLE AND ELECTRICAL CONNECTIONS

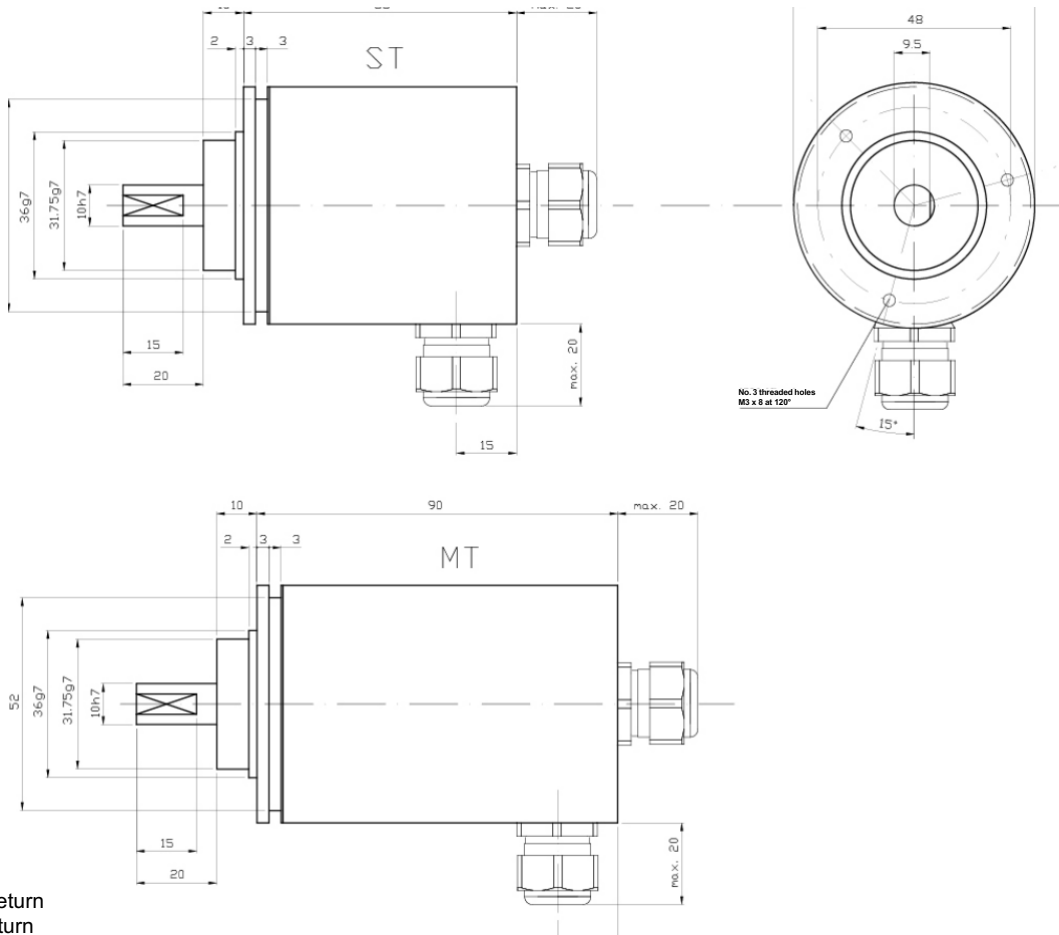
Encoder supplied with M23 12 Pin connector

CONNECTION	
N. Pin	Signals
1	0 V
2	Vcc
3 (A1, A2)	I+
4 (A1, A2)	I-
5 (A3)	V+
6 (A3)	V-
7	DIR
Shield	Shield

Encoder supplied with cable

CONNECTION (A1, A2, A3)		
Color	A1, A2	A3
Yellow	0 V	0 V
White	Vcc	Vcc
Brown	I+	V+
Green	I-	V-
Grey	DIR	DIR
SCH	Shield	Shield

DIMENSIONS



WHAT TO AVOID

- Any mechanical working (cutting, drilling, milling, etc.).
- Any modification of the encoder body or shaft.
- Any improper use, not complying with the technical instructions provided by the Manufacturer.
- External shocks or stresses.

