
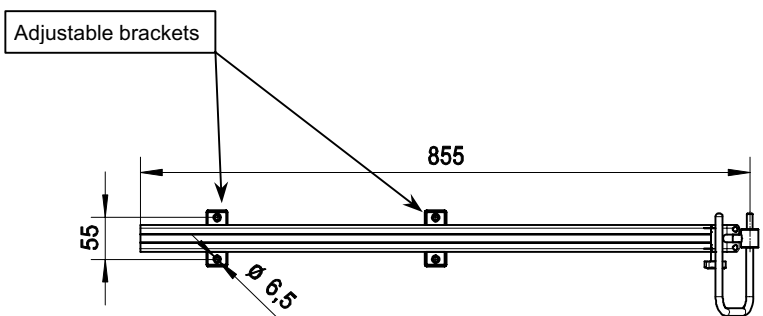

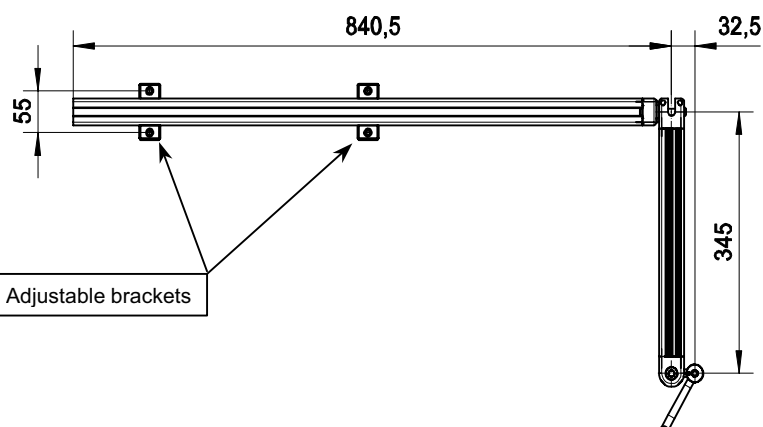



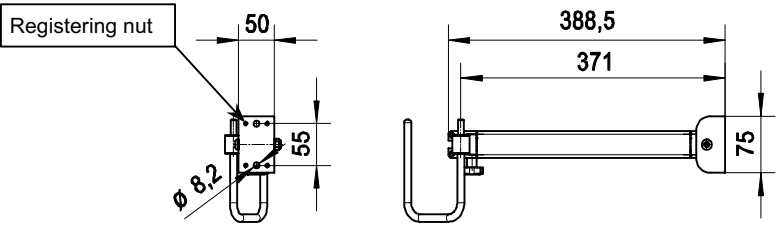
Code	Project	Revision	Title
ST02	A32	A	TECHNICAL DATASHEET

SUPPORTING ARMS FOR DRO


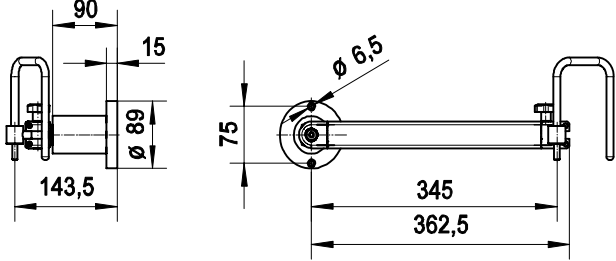
LIST OF AVAILABLE MODELS


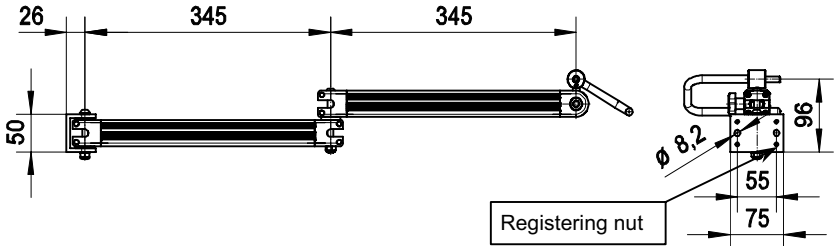
Mod.1		VERTICAL FIXING
		


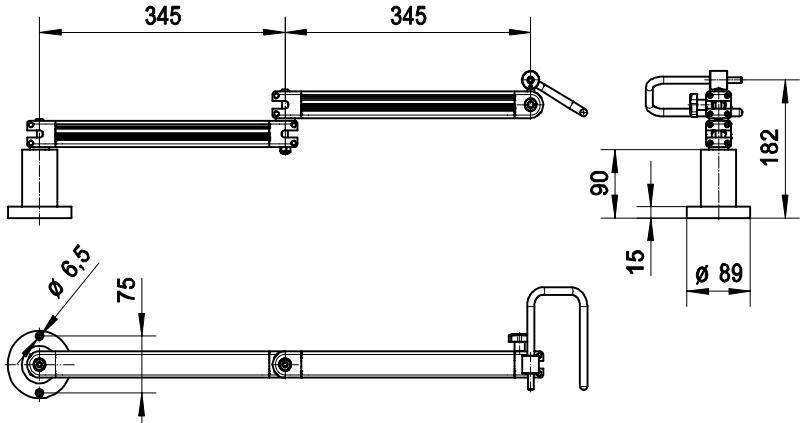
Mod.2		VERTICAL FIXING WITH SINGLE HINGED ARM
		


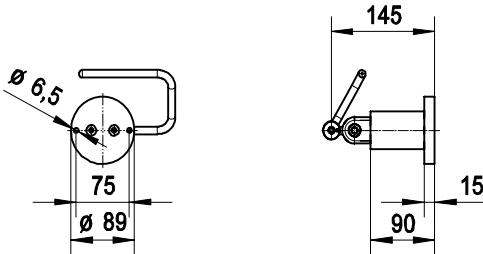
Mod.3		WALL FIXING WITH SINGLE HINGED ARM
		

Code	Project	Revision	Title
<i>ST02</i>	<i>A32</i>	<i>A</i>	TECHNICAL DATASHEET

Mod.4		SURFACE FIXING WITH SINGLE HINGED ARM
		


Mod.5		WALL FIXING WITH DOUBLE HINGED ARM
		

Mod.6		SURFACE FIXING WITH DOUBLE HINGED ARM
		

Mod.7		SURFACE FIXING
		

Note: Arm section 35x35mm

Codice	Progetto	Revisione	Titolo
ST02	A32	A	TECHNICAL DATASHEET

Mod.Argo		VERTICAL FIXING ON ROUND BAR $\varnothing 25$ mm
		