

Code ST04	Project A30-B	Release A	Title TECHNICAL DATASHEET
---------------------	-------------------------	---------------------	-------------------------------------

DIGITAL READOUT WITH MAGNETIC SENSOR VISION 110S

GENERAL FEATURES

- One-axis DIGITAL READOUT with 6 ½ digit LCD and negative sign.
- Body sensor and front suitable for drilling template of standard dimensions (92x44 mm).
- FLEXIBLE CABLE max. length 4 meters.
- Power supply either via battery or mains supply.
- MAGNETIC SENSOR of small overall dimensions.
- Fixing by M3 or M4 screws.
- Wide alignment tolerances.
- To be used with MAGNETIC BAND **MP200** or **MP100**.



MECHANICAL AND ELECTRICAL FEATURES

Display	LCD 6 ½ digits h = 13 mm and negative sign	
Programmable resolution	1.0 - 0.1 - 0.05 - 0.01 mm 0.01 - 0.001 - 1/16 - 1/32 - 1/64 inch 1° - 0.1° - 0.01° - 0.001° angular	
Repeatability	± 1/2 digit	
Power supply	1 bat. LR6 AA or 2 bat.LR6 AA or external (1.5 ÷ 5 V)	
Operating temperature	0 ÷ 50°C	
Storing temperature	-20° ÷ 70°C	
Humidity	95% (not condensed)	
READOUT		
Weight	100 g	
Vibration resistance (EN 60068-2-6)	25 m/s ² [55 ÷ 2000 Hz]	
Protection class (EN 60529)	IP 43	
SENSOR		
	mod. VI110S 1	mod. VI110S 2
Max speed	2 m/s	4 m/s
Sensor - magnetic band gap	0.1 ÷ 0.4 mm	0.3 ÷ 2.0 mm
Accuracy	± 15 µm	± 20 µm
Magnetic band to be used with – pole pitch	MP100 (1+1mm)	MP200 (2+2mm)
Vibration resistance (EN 60068-2-6)	300 m/s ² [55 ÷ 2000 Hz]	
Shock resistance (EN 60068-2-27)	1000 m/s ² (11 ms)	
Protection class (EN 60529)	IP 67	
CABLE - 6 cores ø3.4 mm		
Minimum bending radius	25 mm	
Length	4 / 3.5 / 3 / 2.5 / 2 / 1.5 / 1 / 0.5 / 0.2 m	

ORDERING CODE

MODEL	POLE PITCH	POWER SUPPLY	CABLE
VI110S	2	B	M02

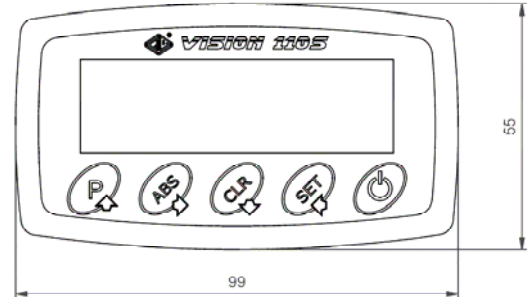
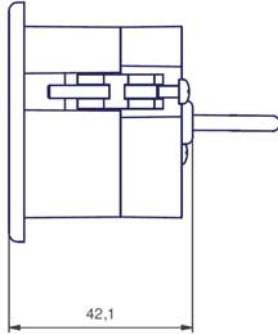
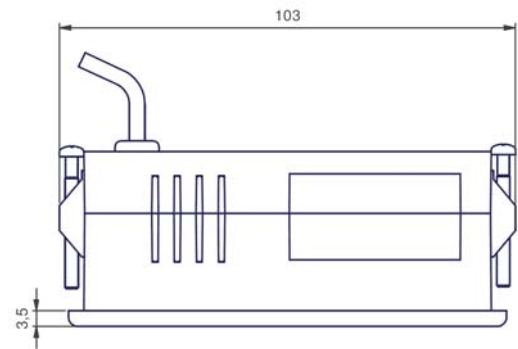
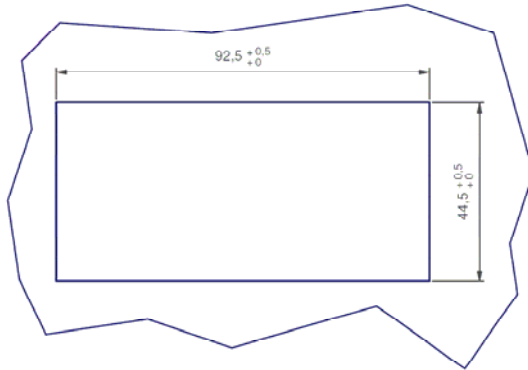
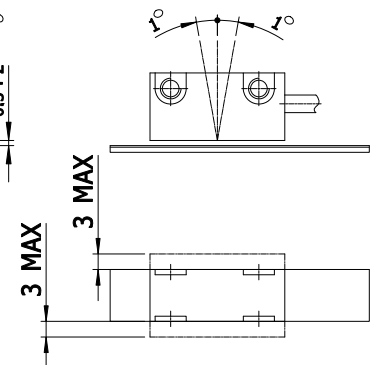
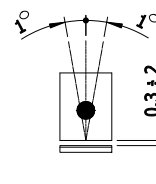
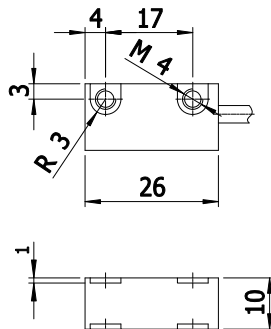
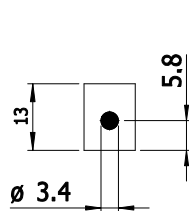
2 = 2+2mm
1 = 1+1mm

B = batteries
E = external (1.5+5V)

M02 = 2 meters
M01 = 1 meter
M0.5 = 0.5 meter

Example ↪ **COUNTER VI110S 2 B M02**

Code	Project	Release	Title
ST04	A30-B	A	TECHNICAL DATASHEET

READOUT DIMENSIONS

DRILLING TEMPLATE

SENSOR DIMENSIONS

WARNING!!
WHAT TO AVOID

1. All mechanical reworks (Cutting, drilling, face milling a.s.o.).
2. All mishandling.
3. Impacts and external stress.
4. Exposure to external magnetic fields.

