

Code <b>ST02</b>	Project <b>A30-B</b>	Release <b>A</b>	Title <b>TECHNICAL DATASHEET</b>
---------------------	-------------------------	---------------------	-------------------------------------

## DIGITAL READOUT WITH MAGNETIC SENSOR VISION 110L

### GENERAL FEATURES

- One-axis DIGITAL READOUT with 6 ½ digit LCD and negative sign.
- Body sensor of standard dimensions and front of bigger size, for mounting on panel with drilling template 92x66 mm (lxh), or adjustable for standard drilling template (92x44 mm).
- FLEXIBLE CABLE max. length 4 meters.
- Power supply either via battery or mains supply.
- MAGNETIC SENSOR of small overall dimensions.
- Fixing by M3 or M4 screws.
- Wide alignment tolerances.
- To be used with MAGNETIC BAND **MP200** or **MP100**.



### MECHANICAL AND ELECTRICAL FEATURES

<b>Display</b>	LCD 6 ½ digits h = 13 mm and negative sign	
<b>Programmable resolution</b>	1.0 - 0.1 - 0.05 - 0.01 mm 0.01 - 0.001 - 1/16 - 1/32 - 1/64 inch 1° - 0.1° - 0.01° - 0.001° angular	
<b>Repeatability</b>	± 1/2 digit	
<b>Power supply</b>	2 bat.LR6 AA or external (1.5 ÷ 5 V)	
<b>Operating temperature</b>	0 ÷ 50°C	
<b>Storing temperature</b>	-20° ÷ 70°C	
<b>Humidity</b>	95% (not condensed)	
<b>READOUT</b>		
<b>Weight</b>	125 g	
<b>Vibration resistance (EN 60068-2-6)</b>	25 m/s <sup>2</sup> [55 ÷ 2000 Hz]	
<b>Protection class (EN 60529)</b>	IP 43	
<b>SENSOR</b>		
	<b>mod. VI110L 1</b>	<b>mod. VI110L 2</b>
<b>Max speed</b>	2 m/s	4 m/s
<b>Sensor - magnetic band gap</b>	0.1 ÷ 0.4 mm	0.3 ÷ 2.0 mm
<b>Accuracy</b>	± 15 µm	± 20 µm
<b>Magnetic band to be used with – pole pitch</b>	MP100 (1+1mm)	MP200 (2+2mm)
<b>Vibration resistance (EN 60068-2-6)</b>	300 m/s <sup>2</sup> [55 ÷ 2000 Hz]	
<b>Shock resistance (EN 60068-2-27)</b>	1000 m/s <sup>2</sup> (11 ms)	
<b>Protection class (EN 60529)</b>	IP 67	
<b>CABLE - 6 cores ø3.4 mm</b>		
<b>Minimum bending radius</b>	25 mm	
<b>Length</b>	4 / 3.5 / 3 / 2.5 / 2 / 1.5 / 1 / 0.5 / 0.2 m	

### ORDERING CODE

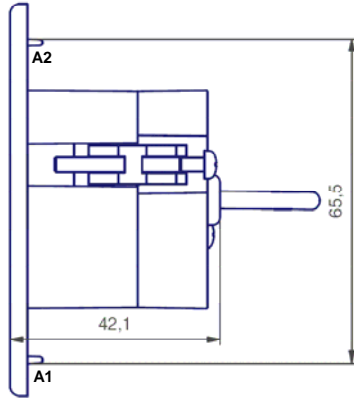
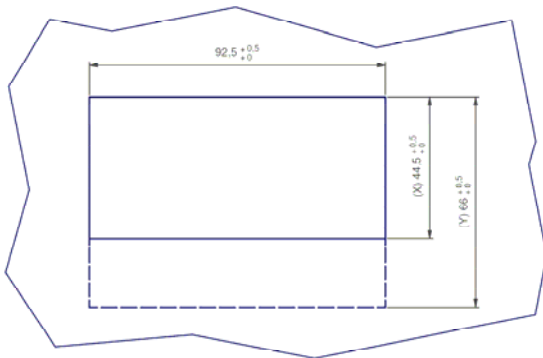
MODEL	POLE PITCH	POWER SUPPLY	CABLE
<b>VI110L</b>	<b>2</b>	<b>B</b>	<b>M02</b>

2 = 2+2mm  
1 = 1+1mm

B = batteries  
E = external (1.5+5V)

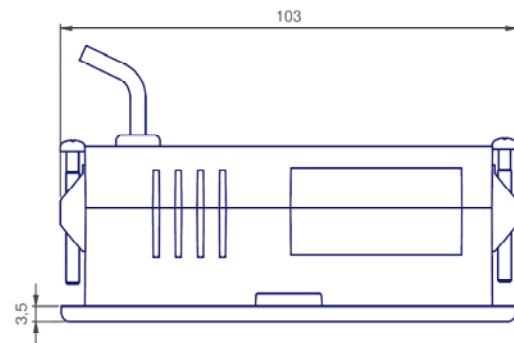
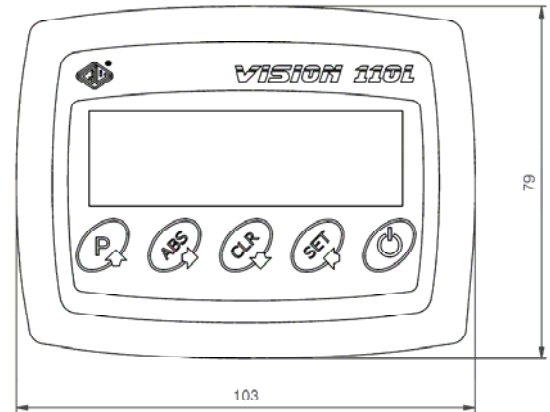
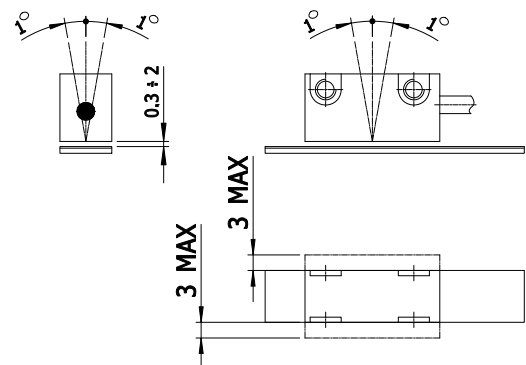
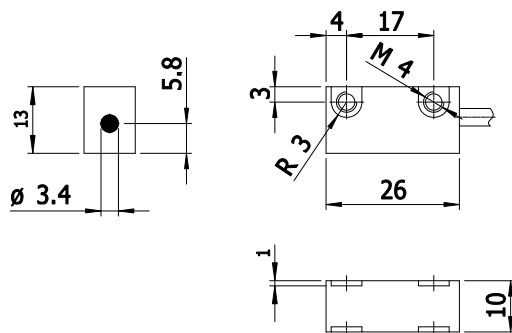
M02 = 2 meters  
M01 = 1 meter  
M0.5 = 0.5 meter

Code	Project	Release	Title
<b>ST02</b>	<b>A30-B</b>	<b>A</b>	<b>TECHNICAL DATASHEET</b>

**READOUT DIMENSIONS**

**DRILLING TEMPLATE**


(X) = Standard drilling template 92x44 mm - FLAPS (A1, A2) REMOVED.

(Y) = Drilling template 92x66 mm.


**SENSOR DIMENSIONS**

**WARNING!!**
**WHAT TO AVOID**

1. All mechanical reworks (Cutting, drilling, face milling a.s.o.).
2. All mishandling.
3. Impacts and external stress.
4. Exposure to external magnetic fields.

